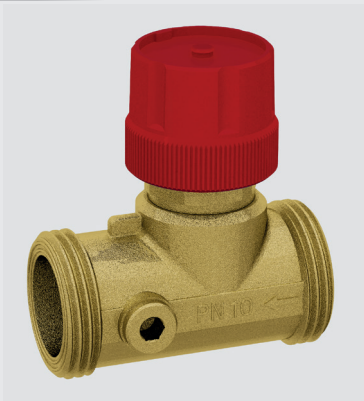


ART.3085

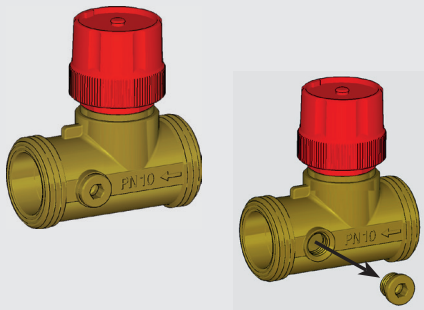

**BRASS stop and balancing thermo-electric valve.**

- Suitable for thermo-electric actuator
- Body made of CW617N forged brass
- EPDM sealing O-ring
- Tmax: 95°C
- Pmax: 10bar
- ΔPmax: 3bar
- Ring and handle: ABS
- Numbered ring for setting
- Regulation key
- Connections: 1" male
- Side connections for probe

**1 DESCRIPTION**

Stop and balancing valves can be used to intercept the fluid in heating and cooling systems. In order to open and close the valve, FAR offers a few thermo-electric actuators with different features, according to the type of system where they are going to be installed. Our valve art.3085 is equipped with a PRESETTING system, allowing the water flow to be reduced thanks to its cleverly designed internal mechanism.

The caps for the temperature probe are located on both sides of the valve art.3085.

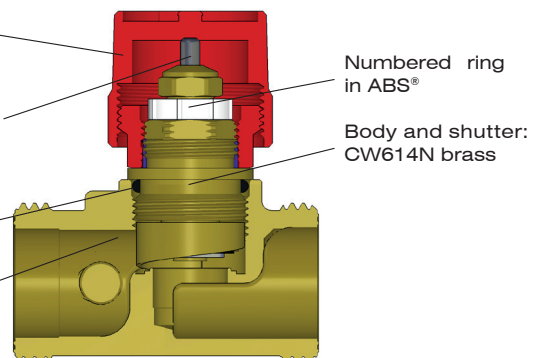

**Construction materials**

Regulating handle and ring: ABS®

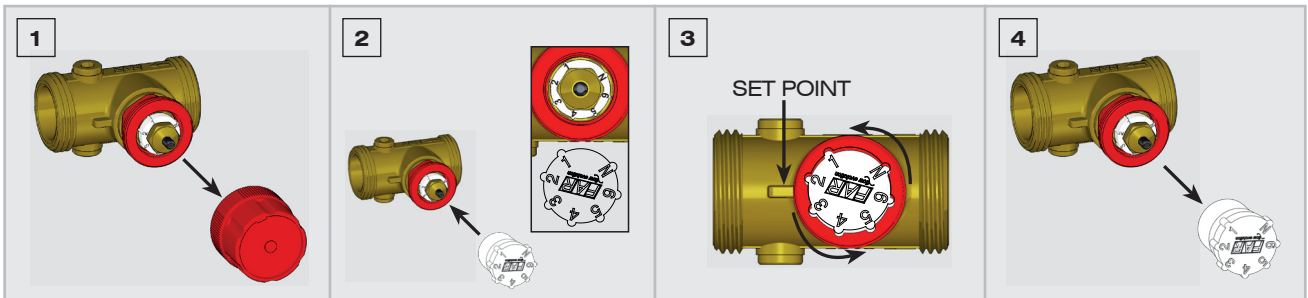
Pin: AISI 303 stainless steel

Sealing O-ring: EPDM

Valve body: CW617N brass


**2 INSTALLATION**

Please follow the procedure described below in order to regulate the valve in the correct way, by setting a value from 1 to 6. Please refer to the water flow chart in chapter 3 in order to select the right setting value.



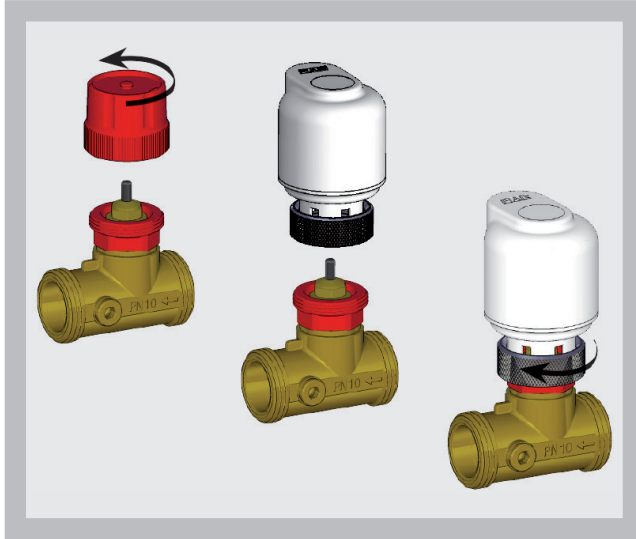
Completely unscrew the handle by turning it anticlockwise.

Insert the regulating key included in the package, by aligning the letter N on the key with the one on the valve.

Turn the key clockwise or anticlockwise, moving it to the desired value, which must be aligned with the set point.

Remove the key and replace the handle or the thermo-electric actuator.

Remove the handle and screw the ring of the actuator directly onto the threaded red adapter in order to install the thermo-electric device on the valve. Screw the actuator manually with only a light pressure and tighten the ring. Do not use any tools: wrench, tongs or similar. The wire must not be in touch with any pipes, radiators and so on.



## 2 WIRING THERMO-ELECTRIC ACTUATOR



Code	Voltage	Type	Open. time
1909	24V	N.C.	180s
1919	230V	N.C.	180s
1929	24V	N.O.	180s
1939	230V	N.O.	180s

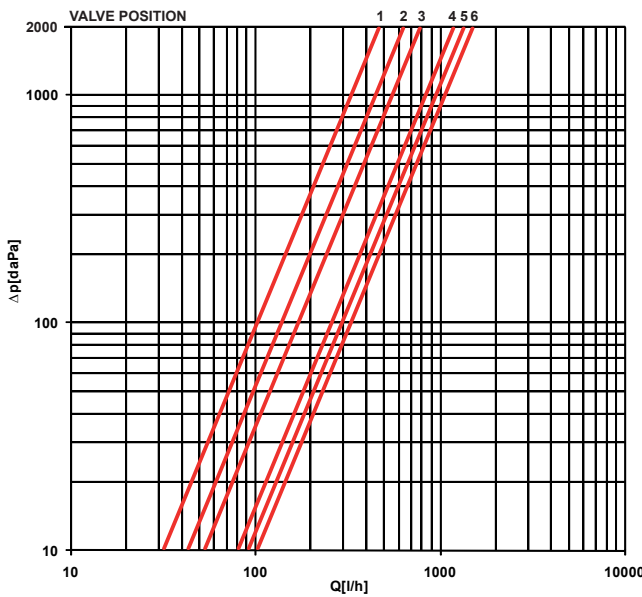
\*NC: Normally closed  
\*NO: Normally open

## 4 WIRING THERMO-ELECTRIC ACTUATOR WITH AUXILIARY MICRO-SWITCH



Code	Voltage	Type	Open. time
1913	24V	N.C.	90s
1914	24V	N.C.	180s
1923	230V	N.C.	90s
1924	230V	N.C.	180s

## 3 FLOW CHARACTERISTICS



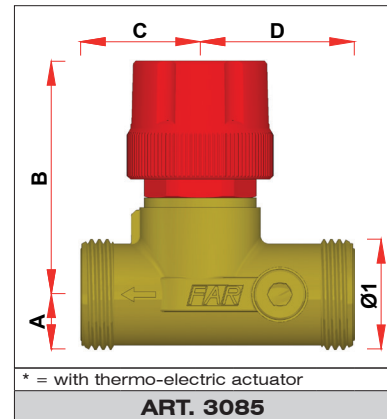
POSITION	1	2	3	4	5	6	N
Kv m³/h	0.8	1.1	1.7	2.5	2.8	3.1	-

**N.B.** The maximum flow is given in position 6.

## 4 TECHNICAL FEATURES

Maximum temperature: 95° C  
 Maximum pressure: 10 bar  
 Maximum differential pressure: 3 bar  
 Body: CW617N brass  
 Mechanism: CW614N brass  
 Handle and ring: plastic material ABS®

## 5 DIMENSIONAL FEATURES



\* = with thermo-electric actuator

### ART. 3085

CODE	Ø1	A	B	C	D
3085 34	G3/4	13	56 (95*)	28	36
3085 1	G1	17	56 (95*)	28	36